

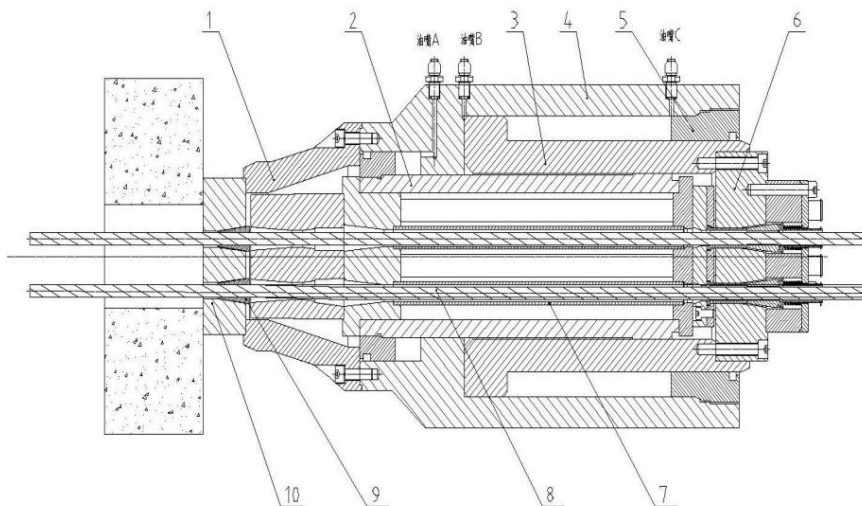
YDC500DY-250A PT Multi-Strand Tension Jack

YDC500DY-250A type strand tension hydraulic jack is a prestressed automatic tensioning equipment with integral top pressing device.

It adopts the structure form of core type double oil circuit, equipped with integral top pressure device and automatic tool anchor plate.

When the pc strand is tensioned, the wedges is pushed into the anchor hole through the top pressure piston without releasing the tension.

Thus, it can reduce the shrinkage when releasing the tension of the strand, obtain reliable anchoring performance, and can be widely used in post-tensioning method Prestressed concrete structures, Bridges and other projects.



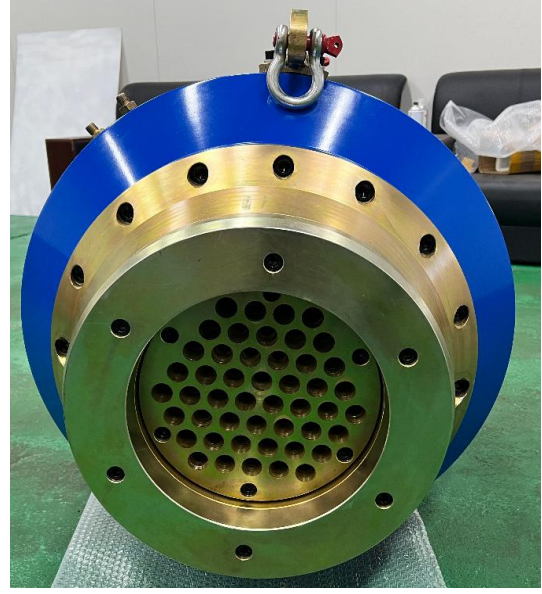
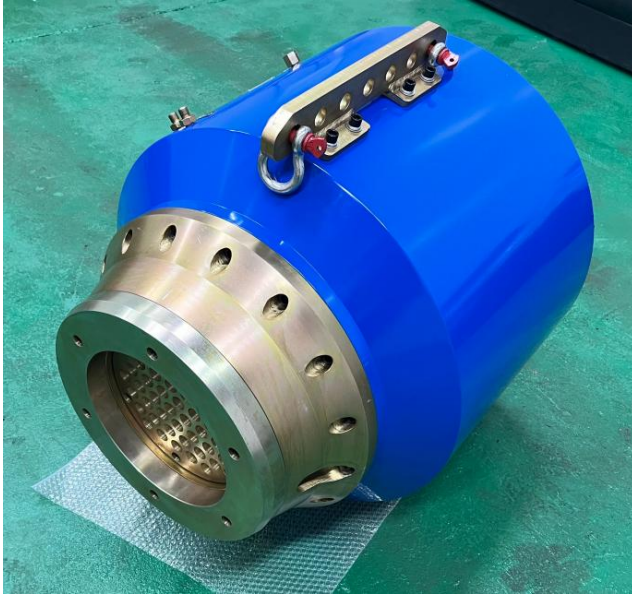
Technical Parameters

Nominal Tension Force	5009KN
Stroke For Tension	250mm
Nominal Oil Pressure	56mpa
Tension Piston Area	894cm ²
Return Oil Pressure	423.3cm ²
Overall Size	φ505x880mm
Nominal Top Pressure	216KN
Nominal Top Oil Pressure	10mpa
Top Piston Area	216cm ²
Weight	782kgs
Number Of Tension Strands	19pcs, not provide
PC Strand Diameter	15.7mm
Couplings	NPT 90° c



Gaode Equipment Co., Ltd.

No.1307, R&D Building #5, Block B, National University Science and Technology Park of Henan Province, No.11 ChangChun Road, High-Tech District, ZhengZhou City, China
网站 (Web) : www.gaodetec.com E-Mail: info@gaodetec.com



ZB-10 Electric Pump Station

Power	10kw
Oil Capacity	155L
Pressure Flow	10/5L/min
Working Pressure	63/20mpa
Voltage	3phase 380v 50hz
Hydraulic Oil	46#or 36#
Weight	270kgs



Gaode Equipment Co., Ltd.

No.1307, R&D Building #5, Block B, National University Science and Technology Park of Henan Province, No.11 ChangChun Road, High-Tech District, ZhengZhou City, China

网站 (Web) : www.gaodetec.com

E-Mail: info@gaodetec.com

