

# GGP400/700/320/100TPI-E Colloidal grout plant



## Product Description

GGP400/700/320/100TPI-E Colloidal grout plant is a combination of mixer, agitator and grout pump in one base frame. It is mainly used to be made bentonite slurry, cement slurry, etc., in the application highway, railway, hydropower, construction, mining and other ground and underground construction.

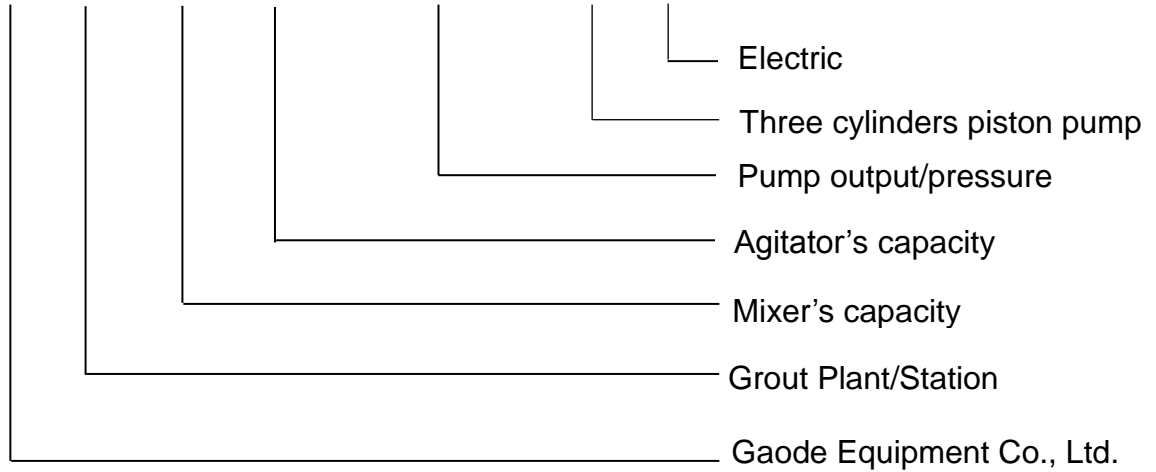
High speed vortex mixer ensures mix quickly and evenly. Water, cement or bentonite is quickly mixed into a homogeneous slurry. Then the mixed slurry was delivered to the agitator. Grout pump injects from the agitator drum (storage tank). This ensures a continuous mixing and grouting operations. The grouting plant is driven by an electric motor. Grouting pressure and displacement is adjustable. Compact size and it is easy to operate. It also takes up a small space.

### Main features of colloidal grout mixer and pump unit:

- ◆ Three cylinders piston pump with single acting to ensure the continuous slurry flowing (small pulse) and not easily leaking compared with the double acting piston pump.
- ◆ Grouting pressure and displacement is adjustable.
- ◆ The function switch between mixer and pulping machine is realized by using squeeze switch.
- ◆ Triplex single acting reciprocating piston pump acted as universal grouting applications.
- ◆ Easy to operate and maintain.
- ◆ Up to 5mm particle size.

## Model Definition

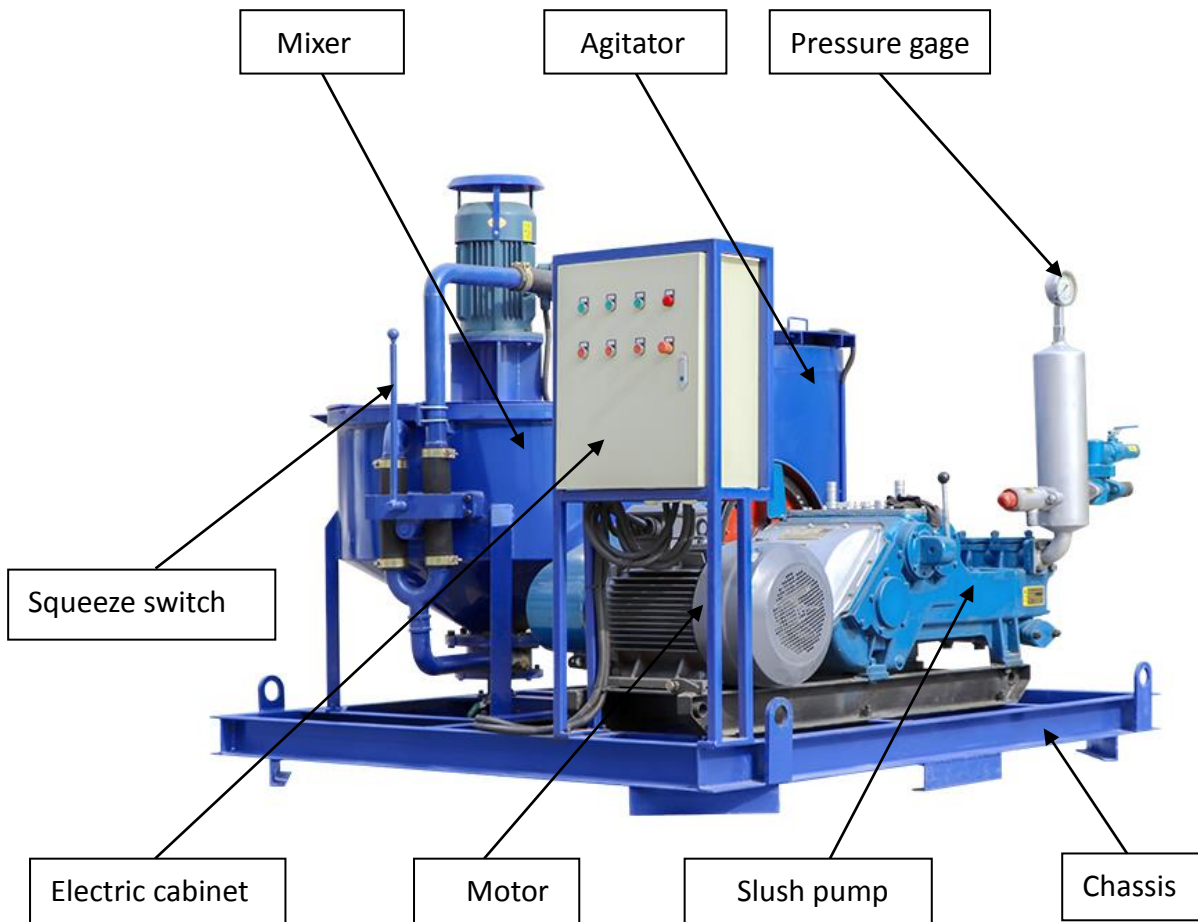
**G GP 400 / 700 / 320 / 100 TPI - E**



## Specification

Name		Data			
Type		GGP400/700/320/100TPI-E Grout plant			
Mixer	Volume(L)	400			
	Speed(rpm)	1500			
Agitator	Volume(L)	700			
	Speed(rpm)	45			
	Power(KW)	3			
Grouting pump	Stroke (mm)	110			
	Cylinder diameter (mm)	80			
	Pump speed (Times/min)	214	153	109	78
	Flow(L/min)	320	230	165	118
	Pressure(MPa)	2.2	3.6	6.2	10
	Power(KW)	30			
Dimension	Dimension(mm)	2300x2100x1880			
	Weight(KG)	1500			

## Main Component









## Gaode Equipment Co., Ltd.

Add: No.9, Building 14, Yard No.4, Fengqing Road, Jinshui District,  
Zhengzhou, Henan China

Web: <https://www.gaodetec.com>

Email: [info@gaodetec.com](mailto:info@gaodetec.com)

Tel: +86-371-55951660