



## 郑州高德机械设备有限公司 Gaode Equipment Co., Ltd.

地址 ADD: 郑州市金水区丰庆路 4 号院 14 号楼 9 号 邮编 P.C.:450053  
No.9, Building 14, Yard No.4, Fengqing Road, Jinshui District, Zhengzhou, Henan China  
网站 (Web) :www.gaodetec.com E-Mail: info@gaodetec.com  
电话 TEL.:+86-371-55951210 传真 FAX:+86-371-55951210

---

### GGP800/1200/130H-E grout station

#### Description

GGP800/1200/130H-E grout station is a combination of mixer, agitator and hose pump in one plant. Mainly used for highways, railways, water and electricity, construction, mining etc. ground/underground construction. High speed vortex mixer ensures mix quickly and evenly. Water, cement and other media are quickly mixed into a homogeneous slurry. Then the mixed slurry was delivered to the agitator. Grout hose pump injects from the mixing drum (storage tank). This ensures a continuous mixing and grouting operations.

#### Feature

- Compact size, It is combination of mixer, agitator and squeeze hose pump and power in one base frame;
- Flow is adjustable.
- Squeeze hose pump, hose is the only spare part. It is easy to operate and maintenance.
- Butterfly connection mixer and agitator, flexible switching.
- Imported electrical components, it is safe and reliable.
- High-power and high-speed eddy current pulping, it is fast and evenly.
- With CE ISO etc. certification.





# 郑州高德机械设备有限公司

## Gaode Equipment Co., Ltd.

地址 ADD: 郑州市金水区丰庆路 4 号院 14 号楼 9 号 邮编 P.C.:450053  
No.9, Building 14, Yard No.4, Fengqing Road, Jinshui District, Zhengzhou, Henan China  
网站 (Web) :www.gaodetec.com E-Mail: info@gaodetec.com  
电话 TEL.:+86-371-55951210 传真 FAX:+86-371-55951210

### Technical data sheet:

Description	Data
Grout Station type	GGP800/1200/130H-E
Dimensions	2900*1920*1860mm
Weight	1770kg
<b>Mixer</b>	
Capacity	800L
Power	15Kw
Rated Rev	1500rpm
Suitable water/cement ratio	≥0.5
Mixer type	high-speed eddy current pulping
<b>Agitator</b>	
Capacity	1200L
Rated Rev.	36rpm
Power	2.2Kw
<b>hose grout pump</b>	
Model	GH65-680B
Output	30-130L/min
Power	7.5Kw
Working pressure	1.5MPa





# 郑州高德机械设备有限公司 Gaode Equipment Co., Ltd.

地址 ADD: 郑州市金水区丰庆路 4 号院 14 号楼 9 号 邮编 P.C.:450053  
No.9, Building 14, Yard No.4, Fengqing Road, Jinshui District, Zhengzhou, Henan China  
网站 (Web) :www.gaodetec.com E-Mail: info@gaodetec.com  
电话 TEL.:+86-371-55951210 传真 FAX:+86-371-55951210

## Detailed parts:



GH65 hose grout pump drive (ABB)

electrical control box for mixer and Agitator

800L grout mixer

1200L agitator

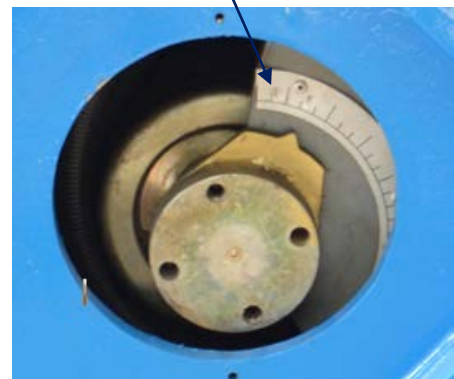
Quick pipe clamp, pressure tightness, good sealing

Hose grout pump

Grout mixer pump

Cleaning port

Squeeze part dial





郑州高德机械设备有限公司

Gaode Equipment Co., Ltd.

地址 ADD: 郑州市金水区丰庆路4号院14号楼9号 邮编 P.C.:450053

No.9, Building 14, Yard No.4, Fengqing Road, Jinshui District, Zhengzhou, Henan China

网站 (Web): www.gaodetec.com E-Mail: info@gaodetec.com

电话 TEL.:+86-371-55951210 传真 FAX:+86-371-55951210



Agitator motor and reducer



Bag cutter

Agitator shaft



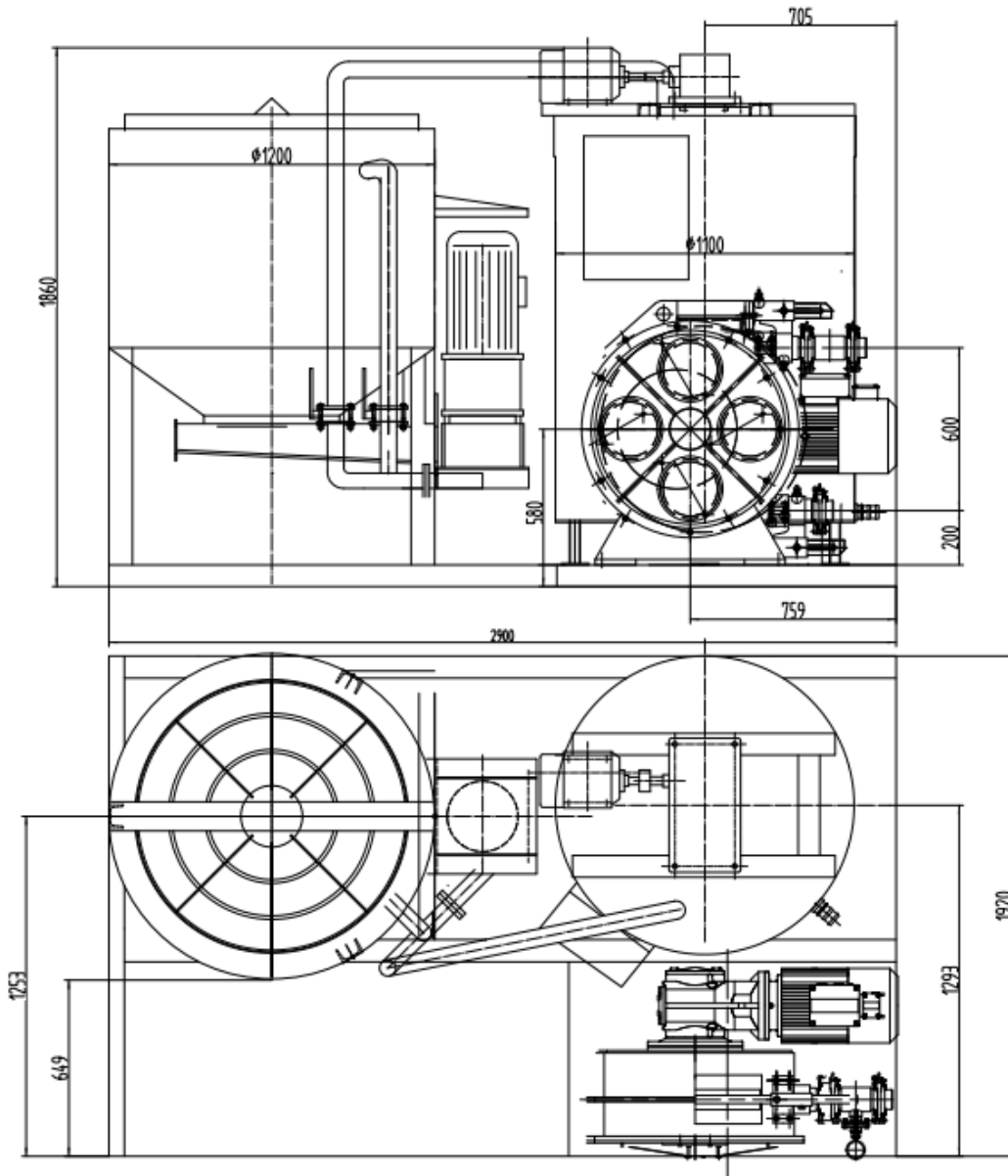
add water part





郑州高德机械设备有限公司  
Gaode Equipment Co., Ltd.

地址 ADD: 郑州市金水区丰庆路4号院14号楼9号 邮编 P.C.:450053  
No.9, Building 14, Yard No.4, Fengqing Road, Jinshui District, Zhengzhou, Henan China  
网站 (Web) :www.gaodetec.com E-Mail: info@gaodetec.com  
电话 TEL.:+86-371-55951210 传真 FAX:+86-371-55951210



郑州高德机械设备有限公司

**Gaode Equipment Co.,Ltd.**

No.9, Building 14, Yard No.4, Fengqing Road, Jinshui District, Zhengzhou,China

Phone: +86-371-55951660/55951210/55090762

Mobile phone:+86-13939067523

Email: [info@gaodetec.com](mailto:info@gaodetec.com) [lena@gaodetec.com](mailto:lena@gaodetec.com)

Web: [www.gaodetec.com](http://www.gaodetec.com) [www.grout-pumps.com](http://www.grout-pumps.com)