

## GGP400/80PL-E Bentonite injection plant



## Product Description

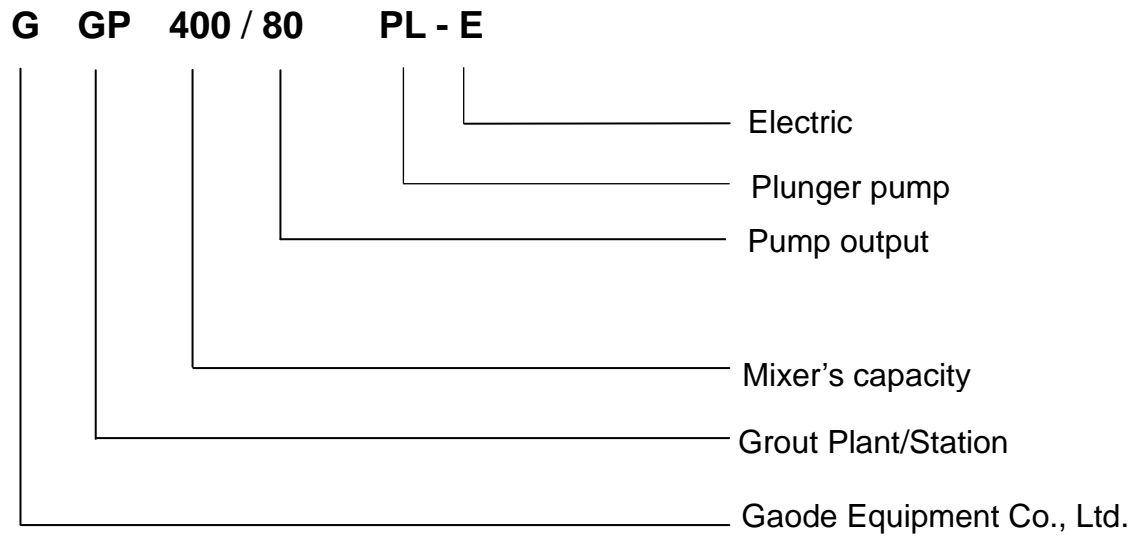
GGP400/80PL-E bentonite injection plant is a combination of mixer and grout pump in one base frame. It is mainly used to be made bentonite slurry, cement slurry, etc., in the application highway, railway, hydropower, construction, mining and other ground and underground construction.

High speed vortex mixer ensures mix quickly and evenly. Water, cement or bentonite is quickly mixed into a homogeneous slurry. Then the grout pump injects from the mixer drum. This ensures a continuous mixing and grouting operations. The grouting plant is driven by an electric motor. Grouting pressure and displacement is adjustable. Compact size and it is easy to operate. It also takes up a small space.

## Main Features of Bentonite Injection Plant:

- ◆ Grouting pressure and displacement is adjustable.
- ◆ The function switch between mixer and grout pump is realized by using squeeze switch.
- ◆ The vertically plunger pump is a universal application for grouting.
- ◆ Easy to operate and maintain.
- ◆ Up to 5mm particle size.

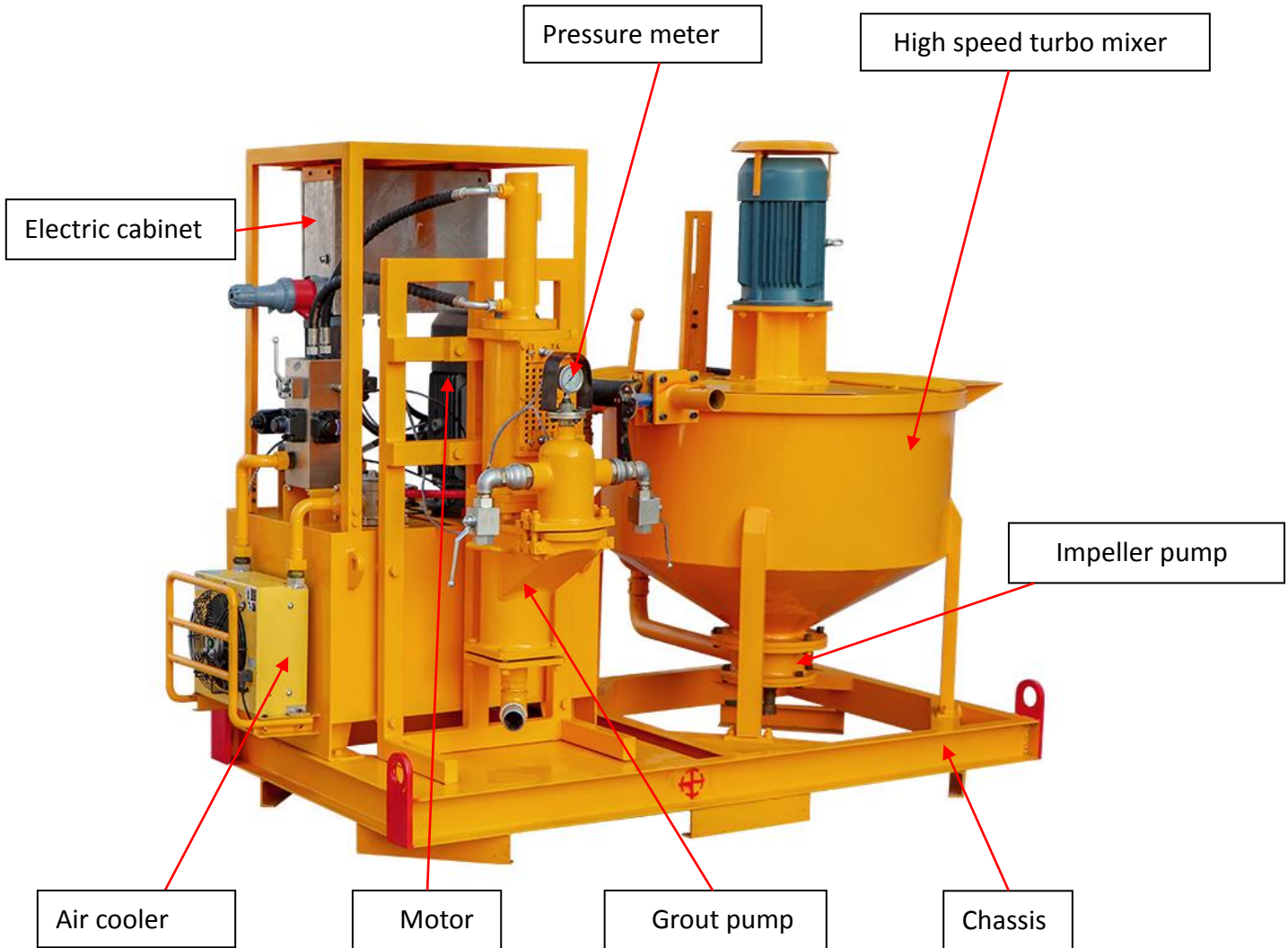
## Model Definition

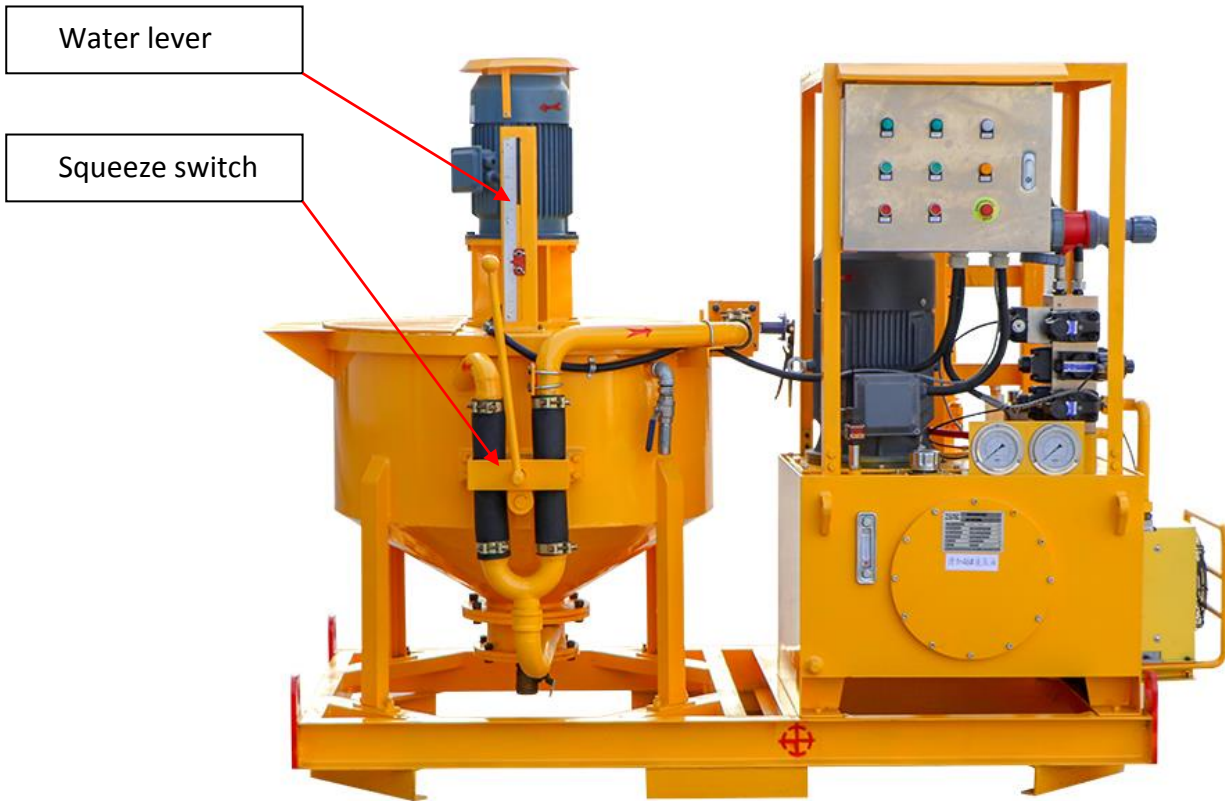


## Specification

Name		Data	
Type		GGP400/80PL-E bentonite injection plant	
Mixer	Volume(L)	400	
	Speed(rpm)	1450	
Grouting pump	Stroke (mm)	220	
	Cylinder diameter (mm)	120	
	Flow(L/min)	80	60
	Pressure(MPa)	2.4	5
	Power(KW)	15	
Dimension	Dimension(mm)	2450x1200x1750	
	Weight(KG)	980	

## Main Component







## **Gaode Equipment Co., Ltd.**

Add: No.9, Building 14, Yard No.4, Fengqing Road, Jinshui District,  
Zhengzhou, Henan China

Web: <https://www.gaodetec.com>

Email: [info@gaodetec.com](mailto:info@gaodetec.com)

Tel: +86-371-55951660