



Gaode GDJM Mechanical Diaphragm Metering Pump

GDJM Series Mechanical Diaphragm Metering Pump

The metering pump is a special reciprocating displacement pump, of which the discharge can be infinitely regulated between 0 and 100% to feed corrosive and non-corrosive liquid at a certain amount for the purposes of different process flows. It includes piston metering pump, hydraulic diaphragm metering pump and mechanical diaphragm metering pump. The products comply with GB/T7782-1996 metering pump standard.

GDJM series mechanical diaphragm metering pumps are extensively used in such industries and sectors as petroleum, chemical, water treatment, environmental protection, food, light industry, paper-making, pharmacy, dyeing and finishing, metallurgy and mining.



Features

1. Economical pump with the optimal cost performance ratio.
2. Simple in construction and easy to repair.
3. Driven by eccentric cam gear, compact, and requiring small room for erection.
4. Dip-feed lubrication, requiring periodic replacement of lubricating oil only. No special maintenance of the lubrication system is required. Pushed by double cam ball bearing, and in steady operation.
5. The discharge is adjustable whether the pump is in operation or not.
6. The new PTFE and rubber composite diaphragm is corrosion resistant, has long service life, and is suitable for discharge of various corrosive and hazardous liquid.
7. There are many optional overflowing materials. In addition, other special materials may be customized based on the operating requirements so as to make it suitable for the discharge of various corrosive and non-corrosive liquid.

Type	I	II	III	IV
Material	PVC	PTFE	1Gr18Ni9Ti(304)	1Gr18Ni12Mo2Ti(316)

Note: standard overflowing material I

8. Totally leak-free, highly safe, able to discharge various inflammable, explosive, toxic, radioactive, highly pungent and corrosive liquid.



郑州高德机械设备有限公司

Gaode Equipment Co., Ltd.

地址 ADD: 郑州市金水区丰庆路 4 号院 14 号楼 9 号 邮编 P.C.:450053
 No.9, Building 14, Yard No.4, Fengqing Road, Jinshui District, Zhengzhou, Henan China
 网站 (Web) :www.gaodetec.com E-Mail: info@gaodetec.com

9. The high precision one-way non-return valve has the following features: accurate metering, compact conformation, good insulation, long service life, strong interchangeability, low cost, and easy installation.

Major parameters

1. Rated discharge 4~1800L/h, Max.rated pressure 0.8MPa.
2. Temperature of medium discharged -30~50℃(100℃ for stainless steel).
3. Dielectric viscosity: 0.3~800mm²/S.
4. Metering accuracy ±2%.

Parameters

Type	Flow L/h	Pressure MPa	Motor		Contact	
			Type	Power KW	PVC	Stainless Steel
GDJM1-4/0.8	4	0.8	YSJ6324	0.18	Φ16 (outside diameter)*2 hose	Flange DN10-PN6RF (Series I) GB/T9119-2000
GDJM1-6/0.8	6	0.8				
GDJM1-8/0.8	8	0.8				
GDJM1-10/0.8	10	0.8				
GDJM1-13/0.8	13	0.8				
GDJM1-16/0.8	16	0.8				
GDJM1-21/0.8	21	0.8				
GDJM1-27/0.8	27	0.8				
GDJM1-39/0.8	39	0.8				
GDJM1-47/0.8	47	0.8				
GDJM1-64/0.8	64	0.8				
GDJM1-81/0.8	81	0.8				
GDJM1-90/0.5	90	0.5				
GDJM1-122/0.5	122	0.5				
GDJM1-154/0.5	154	0.5				
GDJM1-187/0.5	187	0.5	YSJ7124	0.37	Rc3/4 GB/T7306.2 -2000	Flange DN15-PN6RF (Series I) GB/T9119-2000
GDJM2-95/0.8	95	0.8				
GDJM2-128/0.8	128	0.8				
GDJM2-162/0.8	162	0.8				
GDJM2-196/0.8	196	0.8				
GDJM2-249/0.5	249	0.5				
GDJM2-302/0.5	302	0.5				
GDJM2-366/0.5	366	0.5				
GDJM2-499/0.5	499	0.5	YSJ8024	0.75	Rc1 GB/T7306.2 -2000	Flange DN20-PN6RF (Series I) GB/T9119-2000
GDJM3-237/0.8	237	0.8				
GDJM3-300/0.8	300	0.8				



郑州高德机械设备有限公司

Gaode Equipment Co., Ltd.

地址 ADD: 郑州市金水区丰庆路 4 号院 14 号楼 9 号 邮编 P.C.:450053
 No.9, Building 14, Yard No.4, Fengqing Road, Jinshui District, Zhengzhou, Henan China
 网站 (Web) :www.gaodetec.com E-Mail: info@gaodetec.com

GDJM3-365/0.8	365	0.8			Rc1 1/4 GB/T7306.2 -2000	Flange DN32-PN6RF (Series I) GB/T9119-2000
GDJM3-492/0.8	492	0.8				
GDJM3-556/0.5	556	0.5				
GDJM3-675/0.5	675	0.5				
GDJM3-910/0.5	910	0.5				
GDJM3-1150/0.5	1150	0.5				
GDJM3-1350/0.4	1350	0.4				
GDJM3-1500/0.3	1500	0.3				
GDJM3-1730/0.3	1730	0.3				
GDJM3-1800/0.3	1800	0.3				
GDJM4-547/0.7	547	0.7	YSJ90L	1.5	Rc1 2 GB/T7306.2-2000	Flange DN50-PN6RF (Series I) GB/T9119-2000
GDJM4-697/0.7	697	0.7				
GDJM4-941/0.7	941	0.7				
GDJM4-1190/0.7	1190	0.7				
GDJM4-1358/0.5	1358	0.5				
GDJM4-1831/0.5	1831	0.5				
GDJM4-2314/0.5	2314	0.5	Y100L1	2.2		
GDJM4-2924/0.4	2924	0.4				
GDJM4-3085/0.4	3085	0.4				
GDJM4-3580/0.4	3580	0.4				
GDJM4-3898/0.4	3898	0.4				

Install Dimensions

Type	PVC				Stainless steel				G	K	E	H	F	S	D
	A	B	C	L	A	B	C	L							
GDJM1-4/0.8	101	103	Φ16 (outside diameter) *2 hose	317	155	103	Flange DN10 - PN10RF (series I)	335	82	106	178	Max 374	64	180	10
GDJM1-6/0.8															
GDJM1-8/0.8															
GDJM1-10/0.8															
GDJM1-13/0.8															
GDJM1-16/0.8															
GDJM1-21/0.8															
GDJM1-27/0.8															
GDJM1-39/0.8															
GDJM1-47/0.8															
GDJM1-64/0.8															



郑州高德机械设备有限公司

Gaode Equipment Co., Ltd.

地址 ADD: 郑州市金水区丰庆路 4 号院 14 号楼 9 号 邮编 P.C.:450053
 No.9, Building 14, Yard No.4, Fengqing Road, Jinshui District, Zhengzhou, Henan China
 网站 (Web) :www.gaodetec.com E-Mail: info@gaodetec.com

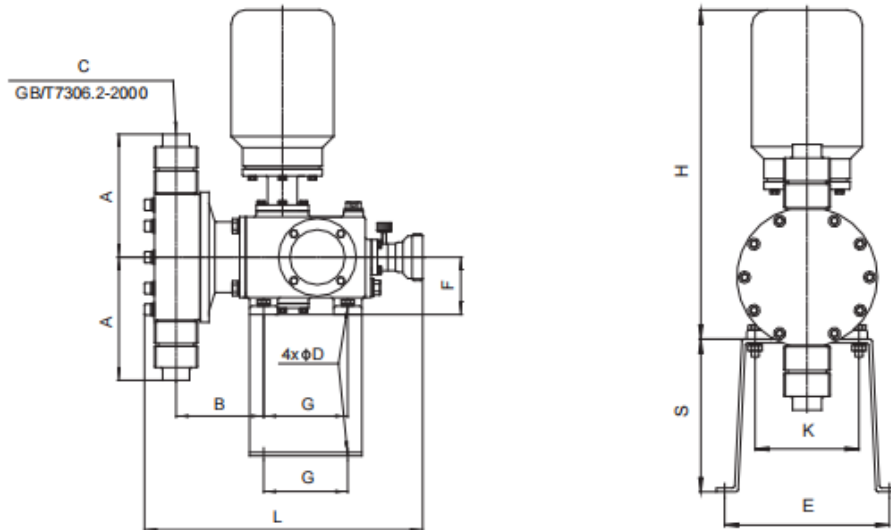
GDJM1-81/0.8																	
GDJM1-90/0.5	143	108	Rc3/4	330	164	106	Flange DN15 - PN6RF (series I)	339	119	136	216	Max 431	81	200	12		
GDJM1-122/0.5																	
GDJM1-154/0.5																	
GDJM1-187/0.5																	
GDJM2-95/0.8																	
GDJM2-128/0.8																	
GDJM2-162/0.8																	
GDJM2-196/0.8																	
GDJM2-249/0.5	174	124	Rc1	402	189	122	Flange DN20 - PN6RF (series I)	407	119	136	216	Max 431	81	200	12		
GDJM2-302/0.5																	
GDJM2-366/0.5																	
GDJM2-499/0.5																	
GDJM3-237/0.8																	
GDJM3-300/0.8																	
GDJM3-365/0.8																	
GDJM3-492/0.8																	
GDJM3-556/0.5	222	148	Rc1 1/4	462	225	144	Flange DN32 - PN6RF (series I)	461	146	158	246	Max 508	100	250	14		
GDJM3-675/0.5																	
GDJM3-910/0.5																	
GDJM3-1150/0.5																	
GDJM3-1350/0.4																	
GDJM3-1500/0.3																	
GDJM3-1730/0.3																	
GDJM3-1800/0.3																	
GDJM4-547/0.7	319	197	Rc1 2	606	311	184	Flange DN50 - PN6RF (series I)	598	210	220	342	Max 468	134	300	16		
GDJM4-697/0.7																	
GDJM4-941/0.7																	
GDJM4-1190/0.7																	
GDJM4-1358/0.5																	
GDJM4-1831/0.5																	
GDJM4-2314/0.5																	
GDJM4-2924/0.4																	
GDJM4-3085/0.4																	
GDJM4-3580/0.4																	
GDJM4-3898/0.4																	



郑州高德机械设备有限公司 Gaode Equipment Co., Ltd.

地址 ADD: 郑州市金水区丰庆路 4 号院 14 号楼 9 号 邮编 P.C.:450053
No.9, Building 14, Yard No.4, Fengqing Road, Jinshui District, Zhengzhou, Henan China
网站 (Web) :www.gaodetec.com E-Mail: info@gaodetec.com

Installation Diagram (PVC) of GDJM Series



Installation Diagram (Stainless Steel) of GDJM Series

